

21:9 UltraWide IPS Multi-Tasking Monitor

▶ 34UB67-B

34" class (34.1" diagonal)

▶ 29UB67-B

29" class (28.8" diagonal)



Features

4-SCREEN SPLIT FEATURE

- Efficiently run several programs and have multiple active windows on the screen at the same time.

FLICKER-SAFE

- Eye fatigue is a major concern when working overtime on the computer. LG's Almost-Zero Flicker Free technology, allows the ability to work longer and more comfortably without straining the eyes.

READER MODE

- With a touch of a button, Reader Mode allows the reduction of blue light emissions that can be harmful to the eyes.

Specifications

Native Display Resolution 2560 x 1080

High Brightness 300 cd/m²

Viewing Angle 178 x 178

Tilt, Swivel, Height Adjustable, Base Detachable,
Pivot (29UB67-B only)

Vesa™ Compliant Wall Mountable

3-Year Limited Warranty Parts/Labor/Backlight


Convenient Enhanced Usability

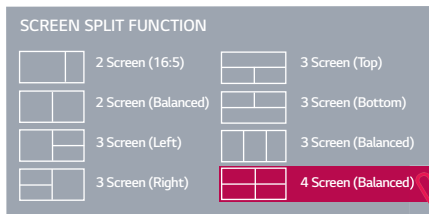


4-SCREEN SPLIT

Efficiently run several programs and have multiple active windows on the screen at the same time.

How to Install & Use the 4-Screen Split Feature

1. Install the 4-screen split software from the CD included in the package.
2. Locate the 4-Screen Split icon [] located on the task bar.
3. Select the Screen Split layout desired.



DUAL LINK UP

For business meetings, the Dual link-up feature allows two portable devices, such as a computer, camera, phone or Blu-ray player to be connected to the monitor and used on a single screen simultaneously.



SMART ENERGY SAVING

LG's Smart Energy Saving Mode reduces power consumption without lowering the brightness of the monitor.

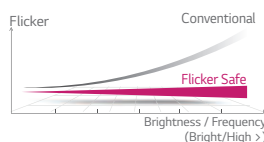


FLICKER-SAFE

LG's Flicker-Safe technology protects users' eyes from fatigue by reducing flickering to almost zero



VS

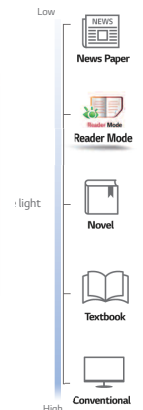


LG obtained TUV "flicker free" certification

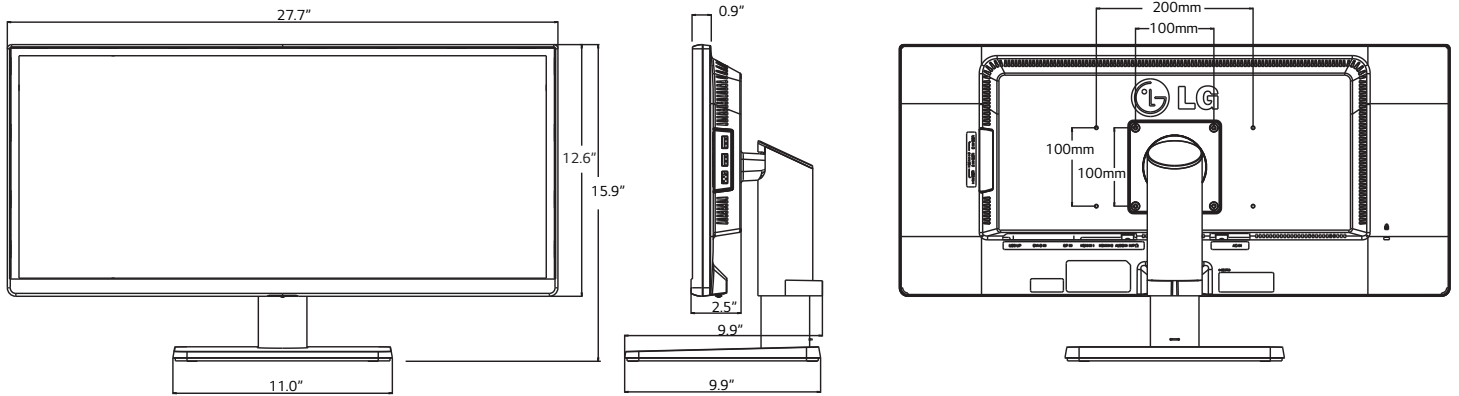


READER MODE

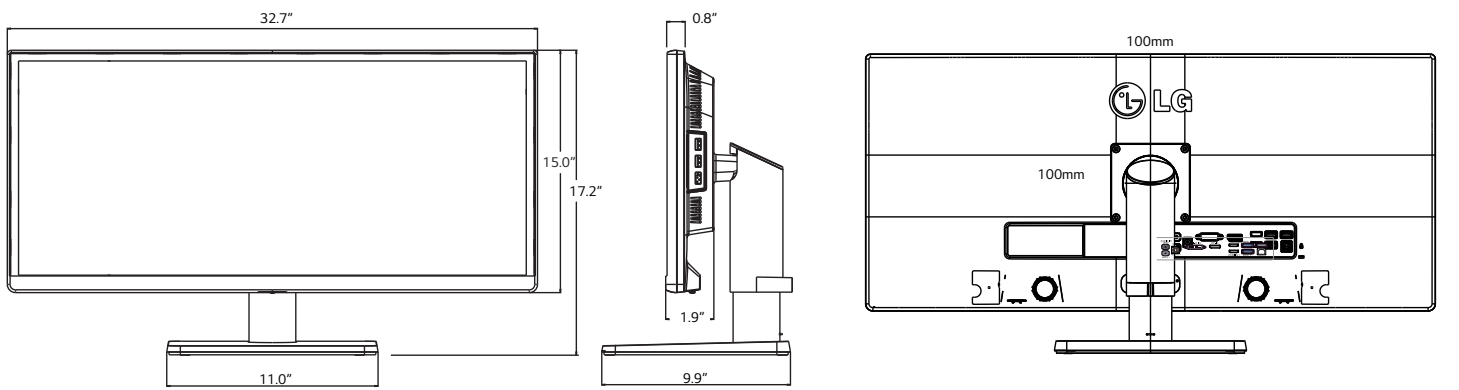
With a touch of a button, Reader Mode allows the reduction of blue light emissions that can be harmful to the eyes.



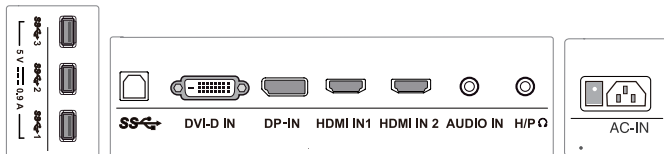
29UB67-B



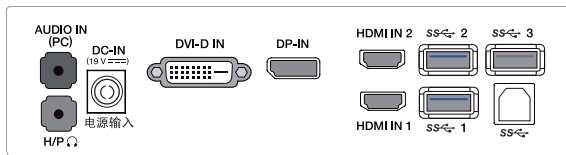
34UB67-B



29UB67-B Rear Jack Pack



34UB67-B Rear Jack Pack



21:9 UltraWide IPS Multi-Tasking Monitor

▶ **34UB67-B**

34" class (34.1" diagonal)

▶ **29UB67-B**

29" class (28.8" diagonal)

PANEL	Model	29UB67-B	34UB67-B	
	Size	29" class (28.8" diagonal)	34" class (34.1" diagonal)	
	Panel Type	IPS		
	Color Gamut (CIE1931)	sRGB 99%		
	Color Depth (Number of Colors)	6bit + A-FRC, 16.7M	16.7M (8bits)	
	Pixel Pitch	0.2628 mm x 0.2628 mm	0.312 mm x 0.310 mm	
	Aspect Ratio	21:9		
	Resolution	2560 x 1080		
	Brightness (Typ.)	300 cd/m ²		
	Contrast Ratio (Original)	1000:1		
	(DFC)	Mega		
	GTG Response Time	5ms		
	Viewing Angle (CR≥10)	178/178		
	Surface Treatment	Hard coating (3H), Anti-glare		
INPUT	DVI-D	Yes		
	HDMI	Yes (HDMIx2)		
	DisplayPort	Yes		
	USB_Up	Yes		
	USB port	Yes (USB 3 down)		
	Jack Location	Rear		
AUDIO	Input_PC Audio In	Yes		
	Input_Jack Location	Rear		
	Output_Headphone Out	Yes		
	Output_Jack Location	Rear		
	Speaker	2ch (L/R)		
	Audio Output	Speaker 5Wx2	Speaker 7Wx2	
POWER	Type	Built-in	Adapter	
	Input	100 – 240V		
	Normal Consumption On (EPA6.0)	31W	43W	
	Normal Consumption On (typ.)	46W	53W	
	Power Save/Sleep Mode (Max)	1.2W (with USB3.0 connection)		
	DC Off (Max)	0.3W	0.3W	
		0.0W (AC Switch)		
	DVI H-Frequency	30 – 90kHz		
	DVI V-Frequency	56 – 75Hz		
	HDMI H-Frequency	30 – 90kHz		
	HDMI V-Frequency	56 – 75Hz		
	DisplayPort H-Frequency	30 – 90kHz		
	DisplayPort V-Frequency	56 – 75Hz		
	RESOLUTION	PC Digital	2560 x 1080	
PC DP		2560 x 1080		
Video HDMI		2560 x 1080		
CONTROL KEY	Key Number (Power Key Included)	1		
	Key Type	Joystick		
	LED Color (On mode)	White		
	LED Color (Power save mode)	White Blinking		
	Key Location	Bottom		
LANGUAGE		English, Germanic, French, Spanish, Italian, Swedish, Finnish, Portuguese, Polish, Russian, Greek, Chinese, Japanese, Korean, Ukrainian, Portuguese (Brazil)		
	Number of Language	16		

SPECIAL FEATURES	Model	29UB67-B	34UB67-B	
SPECIAL FEATURES	Picture Mode	Yes		
	Ratio	Yes		
	PBP	Yes		
	DDC/CI	Yes		
	HDCP	Yes		
	Key Lock	Yes		
	Plug & Play	Yes		
	Response Time Control	Yes		
	Flicker Safe	Yes		
	Six Axis Control	Yes		
	Dual controller	Yes (S/W)		
	SMART Energy saving	Yes		
	Auto resolution	Yes		
	Color Calibrated	Yes		
	H/W Calibration (True Color Finder)	Yes		
	Screen split	Yes (S/W)		
	Off timer	Yes		
CABINET	Front	Black (Spray)		
	Back Cover	Black (Texture)	Black (Spray)	
	Stand	Black (Texture)		
	Base	Black (Texture)		
	Base Detachable	Yes		
	Tilt (Angle)	-5° – 35°		
	Swivel (Angle)	-45° – 45°		
	Height	Height Range 130mm		
	Pivot	0-90°	No	
	Monitor (with Stand)	27.7" x 9.9" x 15.9"	32.7" x 9.9" x 17.2"	
	Monitor (without Stand)	27.7" x 2.5" x 12.6"	32.7" x 1.9" x 15.0"	
	Packaging	34.0" x 7.5" x 14.8"	36.5" x 8.3" x 17.4"	
	VESA® Wall Mount	(200mmx100mm)	(100mmx100mm)	
	Weight_Monitor (with Stand)	19.0 lbs	18.3 lbs	
	Weight_Monitor (w/o Stand)	13.9 lbs	13.9 lbs	
	Weight_Packaging	22.0 lbs	23.6 lbs	
	STANDARD	TCO	Yes (TCO 6.0)	
UL(cUL)		Yes		
TUV-GS		Yes		
TUV-Ergo		Yes		
FCC-B, CE		Yes		
CCC, BSMI		Yes	No	
EPA		Yes		
Erp		Yes		
ISO9241-307		Yes		
EPEAT Gold		Yes		
VESA wall mount standard		Yes	No	
Windows		Yes (Windows® 8)		
Power Cord		Yes		
USB		Yes		
DisplayPort		Yes		
Others		Screen Split (S/W), Dual Controller (S/W), TCF (S/W)		
WARRANTY		3-Year Limited Warranty Parts/Labor/Backlight		
OTHER	UPC	7 19192 19753 4	7 19192 19646 9	



LG Electronics U.S.A., Inc.
HE B2B Division
2000 Millbrook Drive
Lincolnshire, IL 60069

Customer Service: 888.865.3026
www.LGsolutions.com/support

Contact your LG Regional Sales Representative:
Channel: 800.897.8871
Hospitality: 800.228.1236
E-mail: info@LGsolutions.com

LG_SPEC_29-34UB67_031522_PR1

All screen images are simulated. Dimensions and weights are approximate. Design, specifications, and features subject to change without notice.

© Copyright 2015 LG Electronics USA, Inc. All Rights Reserved. "LG Life's Good" is a registered trademark of LG Corp.

ENERGY STAR is a registered trademark of the U.S. Environmental Protection Agency. In Plane Switching is a trademark of LG Philips LCD Ltd. VESA is a trademark of Video Electronics Standards Association. HDMI, the HDMI logo and High-Definition Multimedia Interface are trademarks or registered trademarks of HDMI Licensing LLC.

All other product and brand names are trademarks or registered trademarks of their respective companies.

Printed in the USA. March 2015

